

## Outdoor Linear Flex



Outdoor Linear Flex is a flexible lighting system with excellent performance. It is a high quality LED strip encapsulated in a transparent silicon tube, IP65, safe and highly efficient.

The linearity of this product can provide a soft wall-wash effect with precise light distribution and high uniformity.

The LED strip and its components are designed for reliable, flexible outdoor applications (UV resistant silicon housing, IP65 end-cup, safety 24V DC); an ideal lighting solution.

### Features & Benefits

#### Reliable:

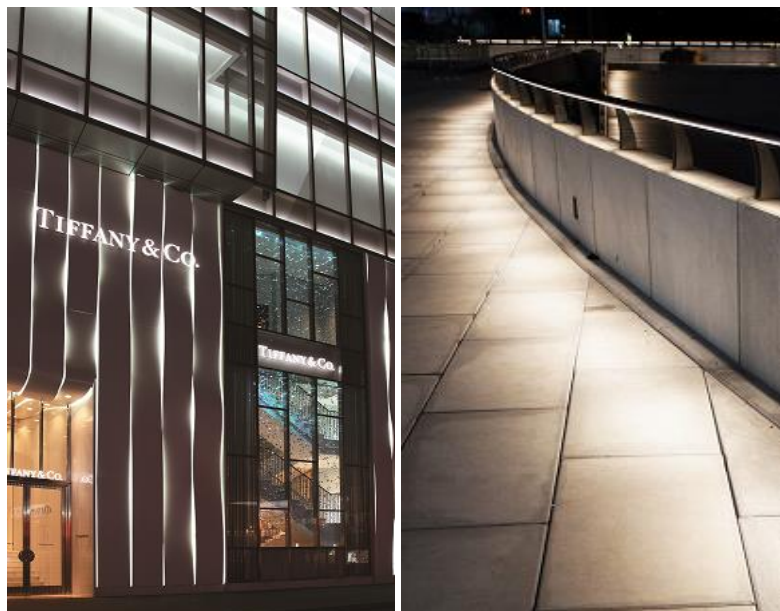
- Tenacity, anti-UV silicon housing
- Safety 24V DC
- RoHS compliance
- IP65 outdoor application
- 15000 hours lifetime @ 35°C

#### High Lighting Performance:

- CRI > 80
- Uniformity: SDCM ≤ 5
- Efficacy: 95lm/w

#### Versatile options:

- CCT: 2700K, 4000K, 6500K
- Lumen: 300lm/m, 600lm/m, 800lm/m
- Length: Standard Reel - 5000mm; Can be cut to different lengths



# Outdoor Linear Flex - BGC200

## Specifications

Product	BGC200 300lm			BGC200 600lm			BGC200 800lm		
Lumen output	Typical: 300 lm/m			Typical: 600 lm/m			Typical: 800 lm/m		
CCT	2700K	4000K	6500K	2700K	4000K	6500K	2700K	4000K	6500K
Power	5.3 W/m	4.2W/m		7 W/m	6.2 W/m		9.8 W/m	9 W/m	
CRI	> 80								
SDCM	SDCM ≤ 5								
Beam Angle	120°								
Dimension	Width x Height: 12mm x 6mm								
Length per reel	5m								
Min. cut length	100mm								
IP	65								
IK	4								
Cable length	15cm								
Material	UV resistant silicon resin								
Input Voltage	24V DC								
Safety Class	Class III								
Operating temperature	-20°C ~ + 50°C								
Life Time	15,000 hours, L70B50@35°C								
Approbation	CQC/CB/EMC/CE								
Others	RoHS								

# Outdoor Linear Flex - BGC200

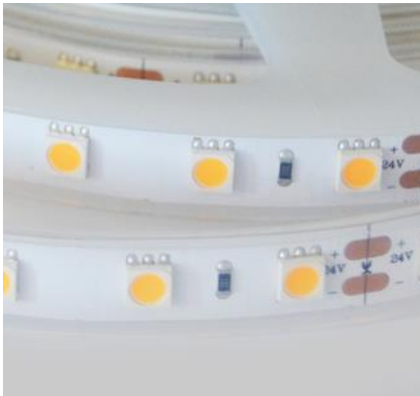
## Applications

- Architectural outdoor areas and beautification (bridges, gardens, footstep, stairway outlines, etc.)
- Signboards, advertising boxes

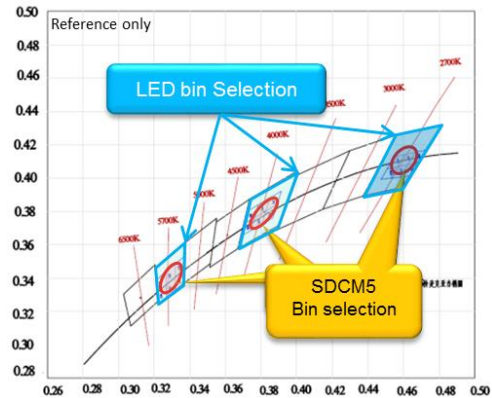


## Differentiators

- Silicon tube: soft and durable, UV resistant for outdoor applications
- CRI > 80, high color rendering
- SDCM < 5, perfect uniformity, low visual color variance



Silicon tube



SDCM < 5 bin selection



High CRI

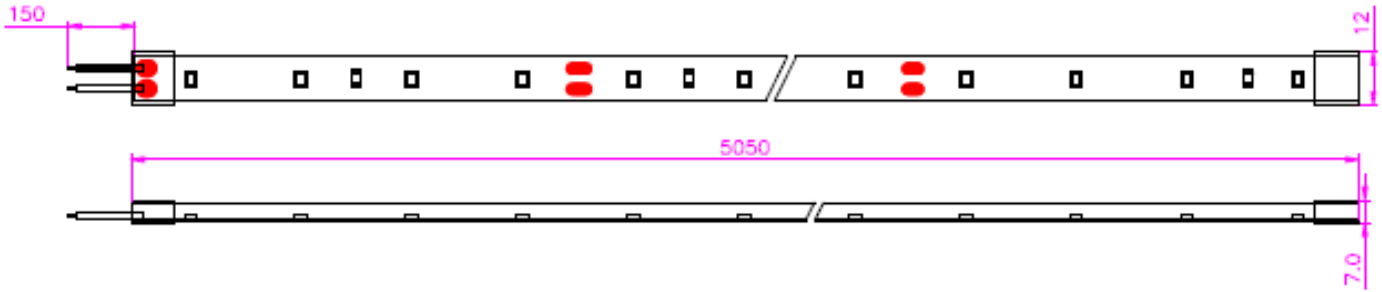
Low CRI

CRI > 80

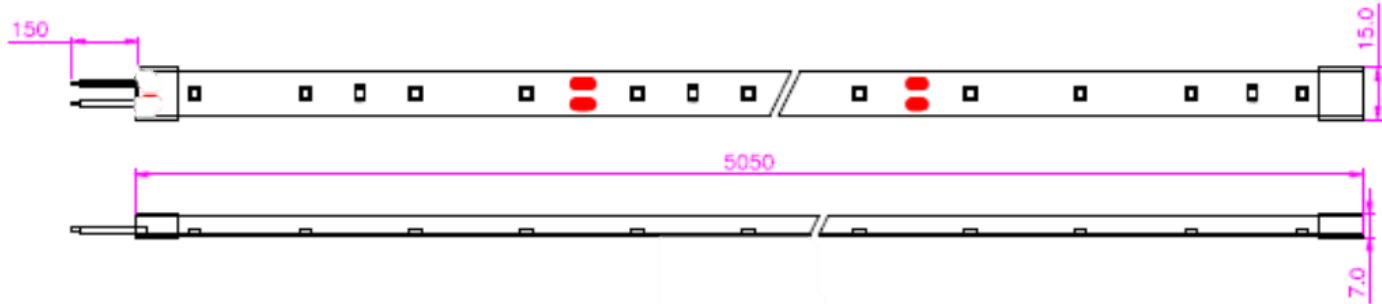
# Outdoor Linear Flex - BGC200

Dimensions (mm)

## Outdoor Linear Flex BGC200 LED3 & BGC200 LED6

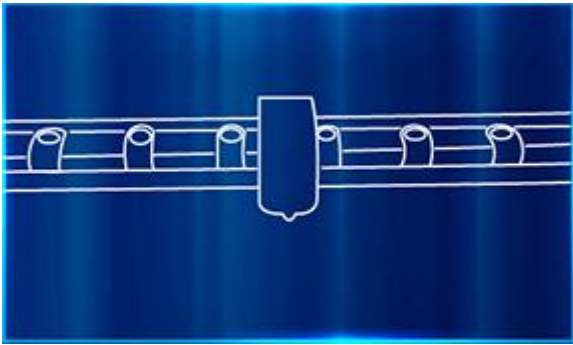


## Outdoor Linear Flex BGC200 LED8



# Outdoor Linear Flex - BGC200

## Mounting Instructions



1. Fix product with mounting clip




2. Tighten the mounting clip with M3\*6 screws



3. Mounting example

## Cutting Instructions



1. Cut at scissor mark 



2. Glue the end-cap to the cutting side

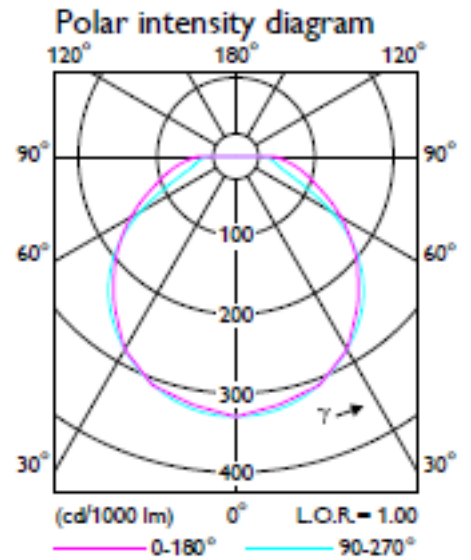


3. Note: Glue must dry for 24 hours before use

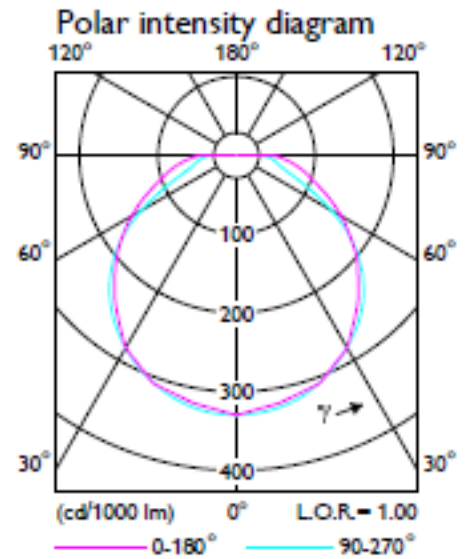
# Outdoor Linear Flex - BGC200

## Photometric Data

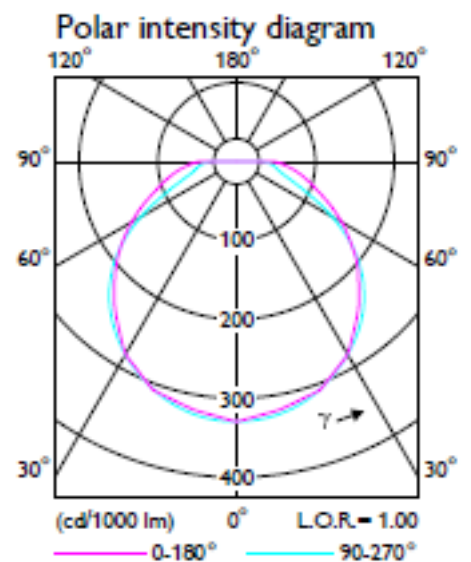
BGC 200 CW IP65 L5000  
1 x 300 lm  
L.O.R : 1.00



BGC 200 NW IP65 L5000  
1 x 300 lm  
L.O.R : 1.00



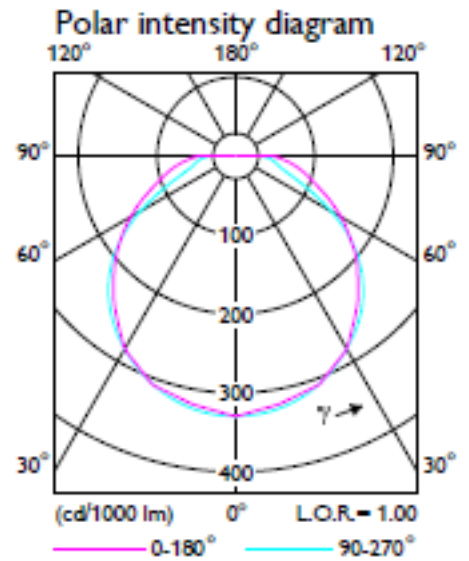
BGC 200 WW IP65 L5000  
1 x 300 lm  
L.O.R : 1.00



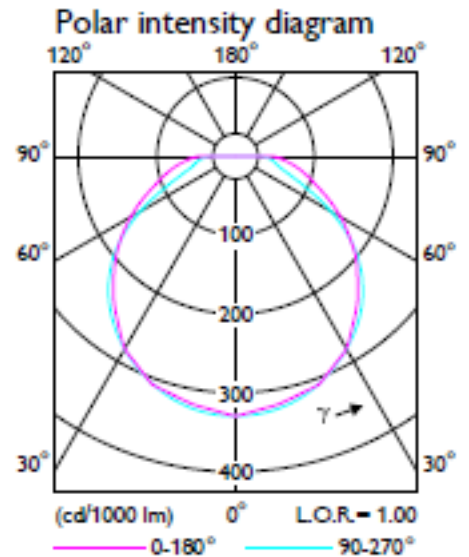
# Outdoor Linear Flex - BGC200

## Photometric Data

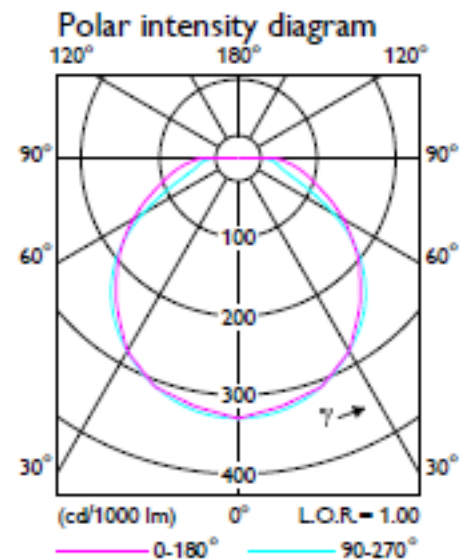
BGC 200 CW IP65 L5000  
1 x 600 lm  
L.O.R : 1.00



BGC 200 NW IP65 L5000  
1 x 600 lm  
L.O.R : 1.00



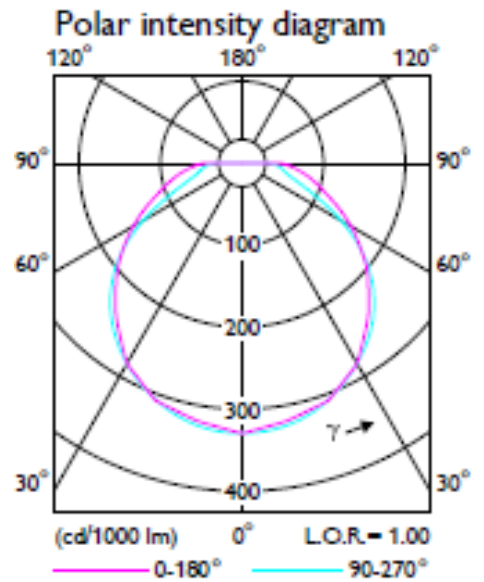
BGC 200 WW IP65 L5000  
1 x 600 lm  
L.O.R : 1.00



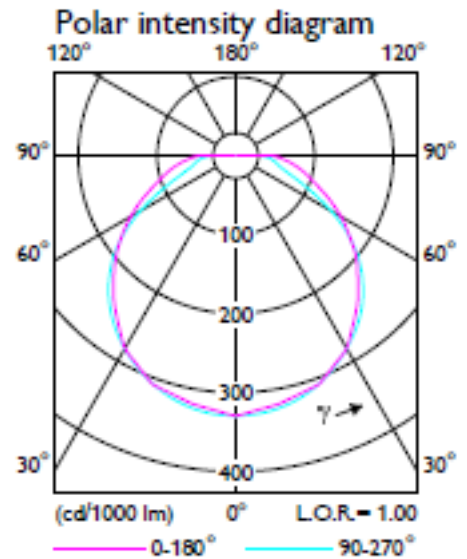
# Outdoor Linear Flex - BGC200

## Photometric Data

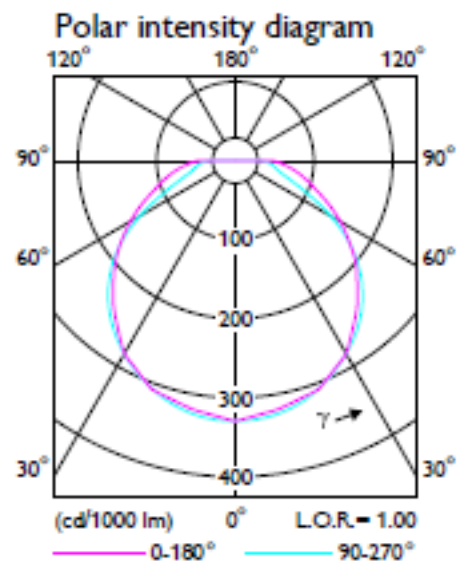
BGC 200 CW IP65 L5000  
1 x 800 lm  
L.O.R : 1.00



BGC 200 NW IP65 L5000  
1 x 800 lm  
L.O.R : 1.00



BGC 200 WW IP65 L5000  
1 x 800 lm  
L.O.R : 1.00





# Outdoor Linear Flex - BGC200

## Recommended Driver List

- Recommended drivers are Indoor rated and will require extra Ingress Protected (IP65) enclosure for outdoor applications

12NC	Description
913710033180	Eff. LED Driver 60W 24VDC
913710032267	Standard LED Driver 60W 24VDC
913710032567	Standard LED Driver 120W 24VDC
929001430080	Philips 100W 24V 100-240V
929000653906	Philips 80W 24V 100-240V

## Accessory Kit

- Accessory kit available for order, with separate 12NC
- Accessory kit includes: 11 pcs mounting clips, and 1 pc end-cap



× 11 pcs



× 1 pc

# Outdoor Linear Flex - BGC200

## Ordering information

No	12NC	Description
1	911401641903	BGC200 300lm WW IP65 L5000
2	911401642003	BGC200 300lm NW IP65 L5000
3	911401642103	BGC200 300lm CW IP65 L5000
4	911401642503	BGC200 600lm WW IP65 L5000
5	911401642603	BGC200 600lm NW IP65 L5000
6	911401642703	BGC200 600lm CW IP65 L5000
7	911401642803	BGC200 800lm WW IP65 L5000
8	911401642903	BGC200 800lm NW IP65 L5000
9	911401643003	BGC200 800lm CW IP65 L5000
10	911401643703	ZGC200 accessory kit BGC200 300lm 600lm
11	911401646503	ZGC200 accessory kit BGC200 800lm